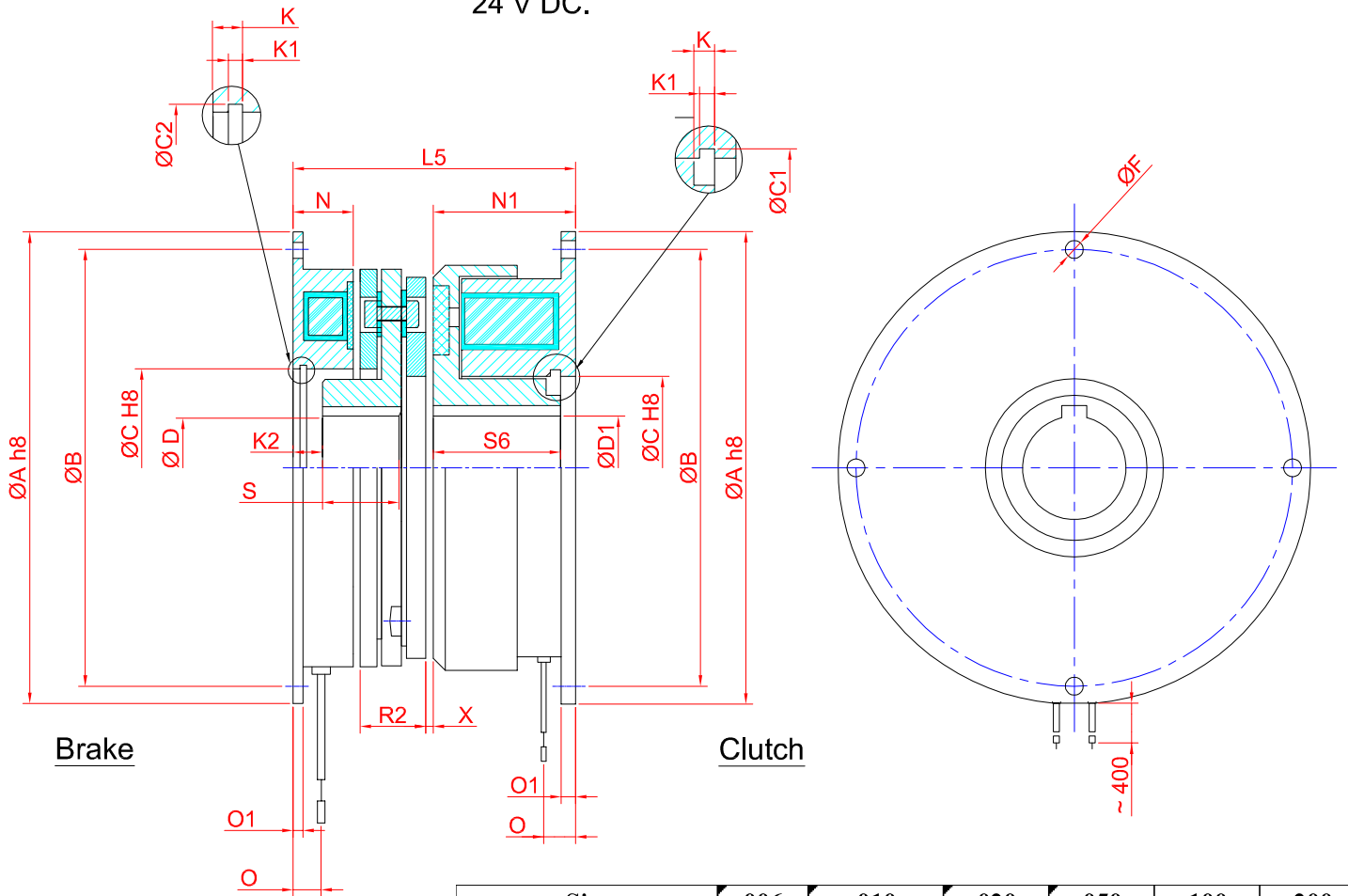


Remove all burs & Sharp Edges

Electromagnetic single disc Clutch-Brake Combination.  
For dry running.  
24 V DC.



Size	006	010	020	050	100	200
Torque	6	10	20	50	100	200
CL/BR-Power @ 20°C	12 /16	18/20	22/28	30/36	40/55	55/70
A	80	100	125	150	190	230
B	72	90	112	138	175	215
C	35	42	52	62	80	100
C2	36	43.5	53.8	63.8	82.1	102.1
D (max)	18	22	30	35	45	60
D1 (max)	20	24	30	35	50	65
F	4 * 4.5	4*5.5	4*6.5	4*6.5	4*9	4*9
K	3.5	4.3	5	5.5	6	7
K1	1.6	1.9	2.2	2.2	2.7	3.2
K2	11.2	9.3	8.9	7.9	5	3.4
L5	55.2	61.9	71.2	79.8	90.8	108.4
N	18	20	22	24	26	30
N1	24	26.5	30	33.5	37.5	44
O	6	7	8	9	11	12
O1	3	3	4	4	5	5
R2	13	15	19	22	27	34
S	15	20	25	30	38	48
S6	22	24	27	30	34	41
X	0.2	0.2	0.3	0.3	0.3	0.4
<b>Weight in Kgs</b>	<b>0.85</b>	<b>1.5</b>	<b>2.7</b>	<b>4.8</b>	<b>9.5</b>	<b>18</b>

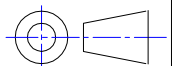
Dimensions in mm, Tolerances unless otherwise stated-NOM

Title :-

**Single Disc Clutch-Brake Combination**

REV	DETAIL	DATE	APVD

CHKD	<i>Prinivas</i>
DRN	<i>chandraiiah</i>
DATE	01.08.2016



**NARSIPUR & SONS**  
Bangalore- 74

Location :-  
**Electromagnetic Clutches**

SCALE	DRG. NO.	<b>NS/ECB-XXX.250</b>	<b>A4</b>
NTS			