



Narsipur & Sons

#21/C, KIADB Phase 1, Mysore Bangalore Highway, Mysore Road, Bangalore – 560074

Phone: +91 80 28437725

Email: narsipur.mfg@narsipurgroup.com Website: www.narsipurgroup.com

OVER 30 YEARS OF SERVICE IN POWER TRANSMISSION LINE

NARSIPUR & SONS MADE FORAY INTO THE WORLD OF POWER TRANSMISSION IN 1987. THE COMPANY MANUFACTURES –

- **ELECTROMAGNETIC SINGLE DISC BRAKES**
- **ELECTROMAGNETIC SINGLE DISC CLUTCHES**
- **MODULAR AND MICRO CLUTCHES**
- **CLUTCH BRAKE COMBINATION**
- **SAFETY BRAKES**
- **INDUSTRIAL GEARS (SPUR/HELICAL)**
- **INDUSTRIAL SHAFTS**

FINDING APPLICATION IN A WIDE RANGE OF APPLICATIONS SPECIFIC TO MACHINE TOOLS, OFFICE MACHINERY, MATERIAL HANDLING, AVIATION, DEFENCE, AEROSPACE AND ROBOTICS. WITH THE INCREASE IN DEMAND FOR AUTIOMATION IN THE MANUFACTURING SECTOR OUR PRODUCTS HAVE FOUND USE IN MECHANICAL TRANSMISSION ALL OVER THE WORLD.

OUR PERSISTANCE AND DEDICATION TOWARDS OFFERING CLIENTS WITH THE BEST OF PRODUCTS HAVE EARNED US A LARGE CLIENTILE THAT INCLUDES – BOSCH LIMITED, BANGALORE; TUSSOR S L, SPAIN; BALAJI AUTOTECH, MYSORE; VST TILLERS & TRACTORS, BANGALORE; BRITISH ENGINES, BANGALORE & PRICOL LIMITED, COILBATORE – TO NAME A FEW.

MOST OF OUR OFFERING ARE CUSTOM MADE SPECIFIC TO THE CLIENT REQUIREMENTS. WE ALSO OFFER STANDARD CONFIGURATIONS FOR ALL OF THE ABOVE PRODUCTS WHICH CAN BE PROVIDED ON REQUEST.

Office & Factory



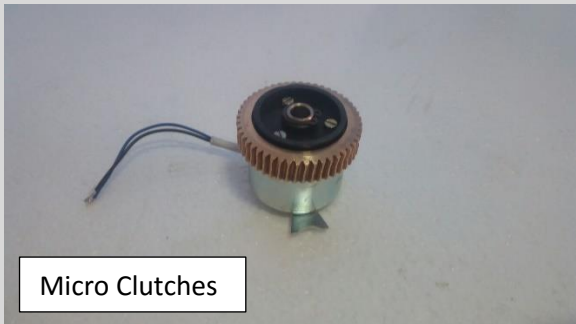
Products



Single Disc Brakes



Single Disc Clutches



Micro Clutches



Clutch Brake Combinations

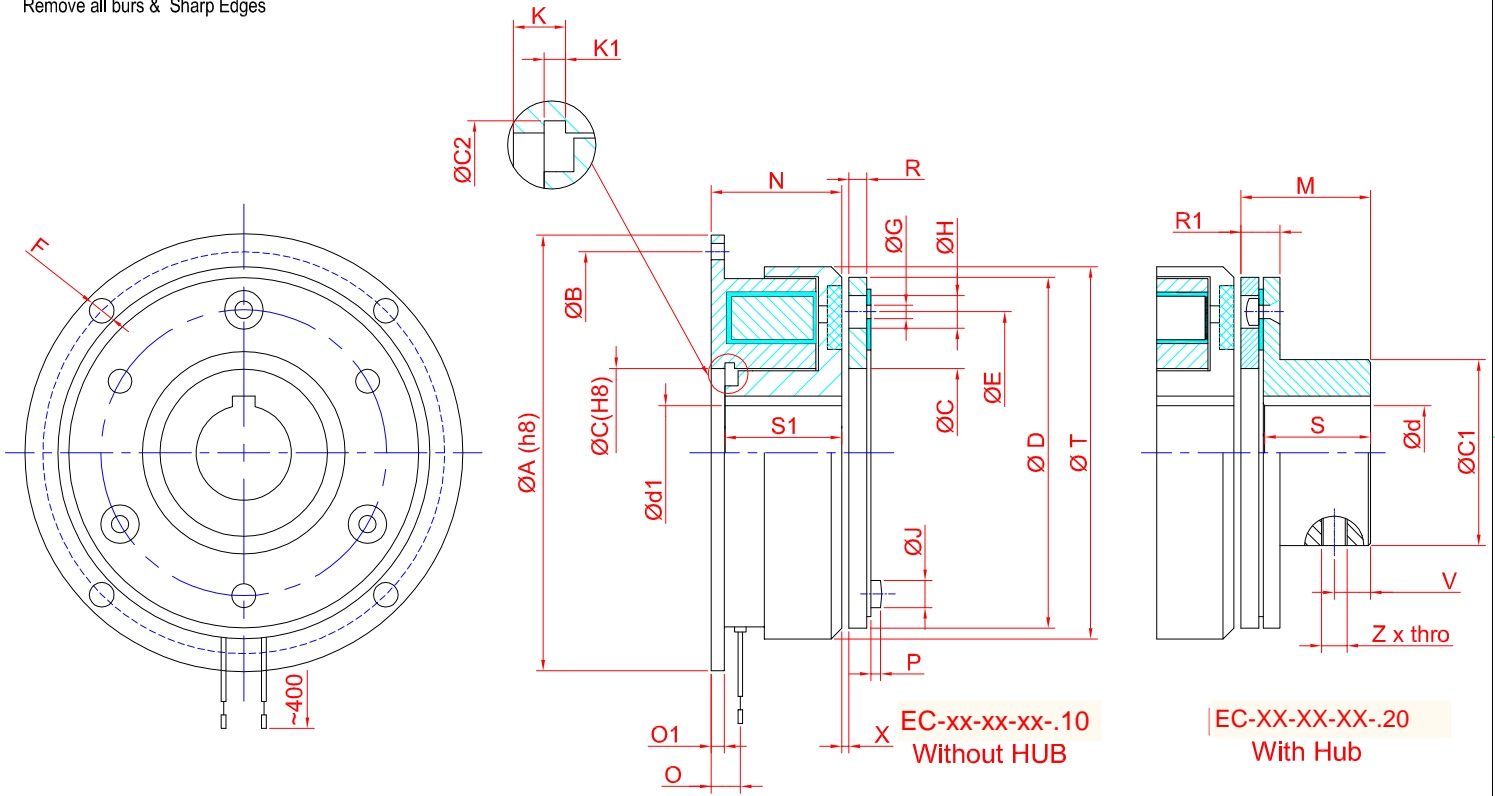


Safety Brakes



Gears & Shafts

Remove all burs & Sharp Edges



Size	`006	`010	`020	`050	100	200
Torque	7	15	30	65	125	220
Power @ 20°C (Watt)	16	20	30	36	54	72
A	80	100	125	150	190	230
B	72	90	112	137	175	215
C	35	42	52	62	80	100
C1	32	38	48	58	73	92
C2	36	43.5	53.8	63.8	82.1	102.1
d (max)	18	22	28	32	45	60
d1 (max)	20	25	28	32	45	60
D	63	80	100	125	160	200
E	46	60	76	95	120	158
F	4*4.5	4*5.5	4*6.6	4*6.6	4*9	4*9
G	3*4.1	3*4.1	3*5.1	3*6.1	3*8.1	3*10.1
H	10	11	11.6	15	21	25
J	8	8	10	11.5	14.5	17.5
K	3.5	4.25	5	5.5	6	7
K1	1.6	1.85	2.15	2.15	2.65	3.15
M	18.8	24.8	31	36.9	46.9	59.15
N	24	26.5	30	33.5	37.5	44
O	6	7	8	9	11	12
O1	3	3	4	4	5	5
P	2	2	2.5	3	4	4.5
R	3.8	4.3	6	6.9	8.9	11.2
R1	7.5	8.3	11	12.9	16	20.2
S	15	20	25	30	38	48
S1	22	24	27	30	34	43
X	0.2	0.2	0.3	0.3	0.3	0.4
V	6	8	10	12	15	19
Z	M6	M6	M8	M10*2	M10*2	M12*2
Weight in Kgs	.10	0.55	0.9	1.6	3.2	5.8
	.20	0.6	1.1	1.9	3.4	6.2

Electromagnetic single disc Clutches.

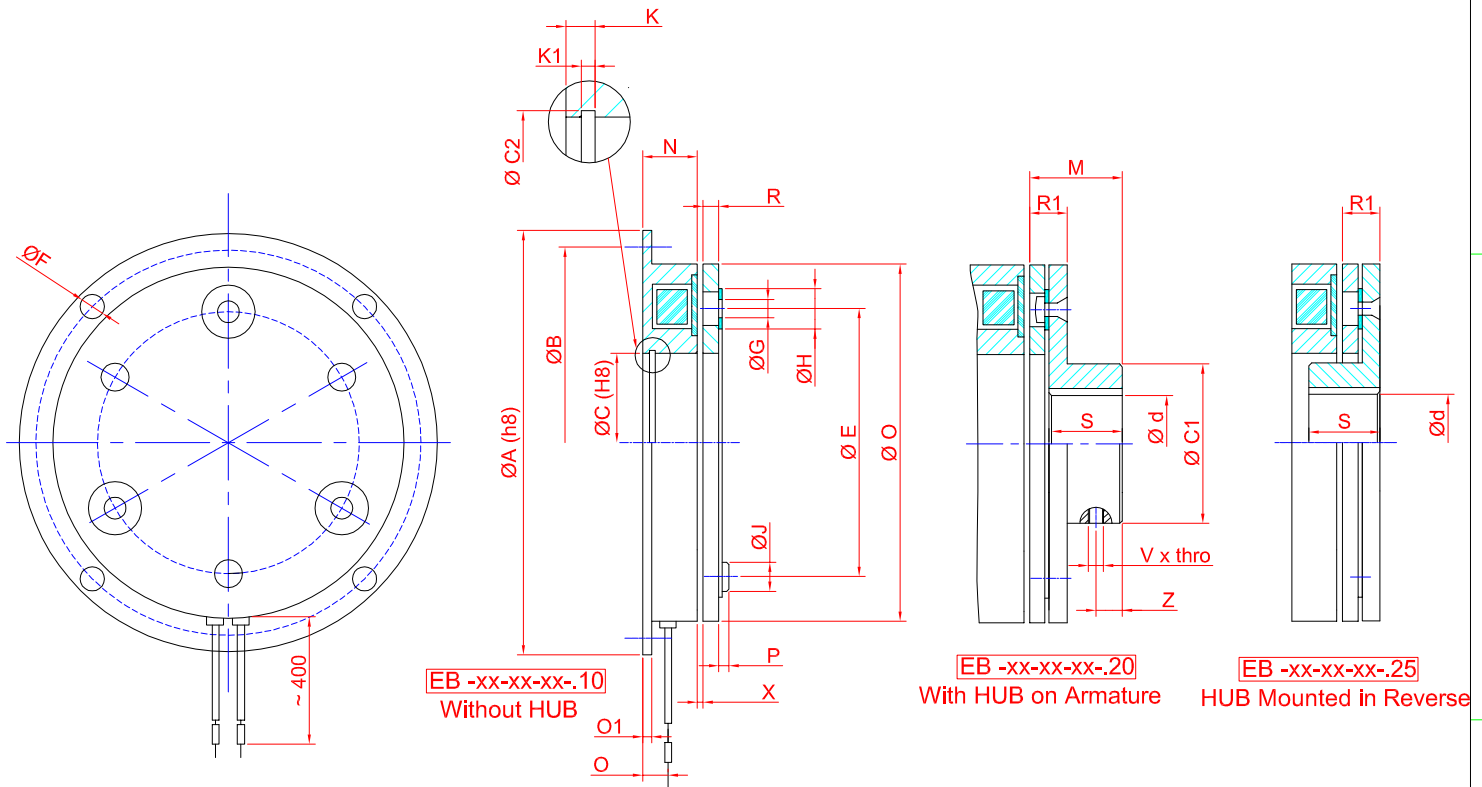
For dry Running
24 V DC.

Dimensions in mm, Tolerances unless otherwise stated-NOM

Title :-				CHKD <i>Srinivas</i>		
Single Disc Clutches				DRN <i>chandraith</i>		
00	Initial Drawing	31/12/2015	Vinod	DATE 01.08.2016		
REV	DETAIL	DATE	APVD	SCALE	DRG. NO.	A4
NARSIPUR & SONS Bangalore- 74				Electromagnetic Clutches		
Location :-				NTS	NS/EC-XXX.10/20	

Remove all burs & Sharp Edges

**Electromagnetic single disc brake.
For dry running.
24 V DC.**



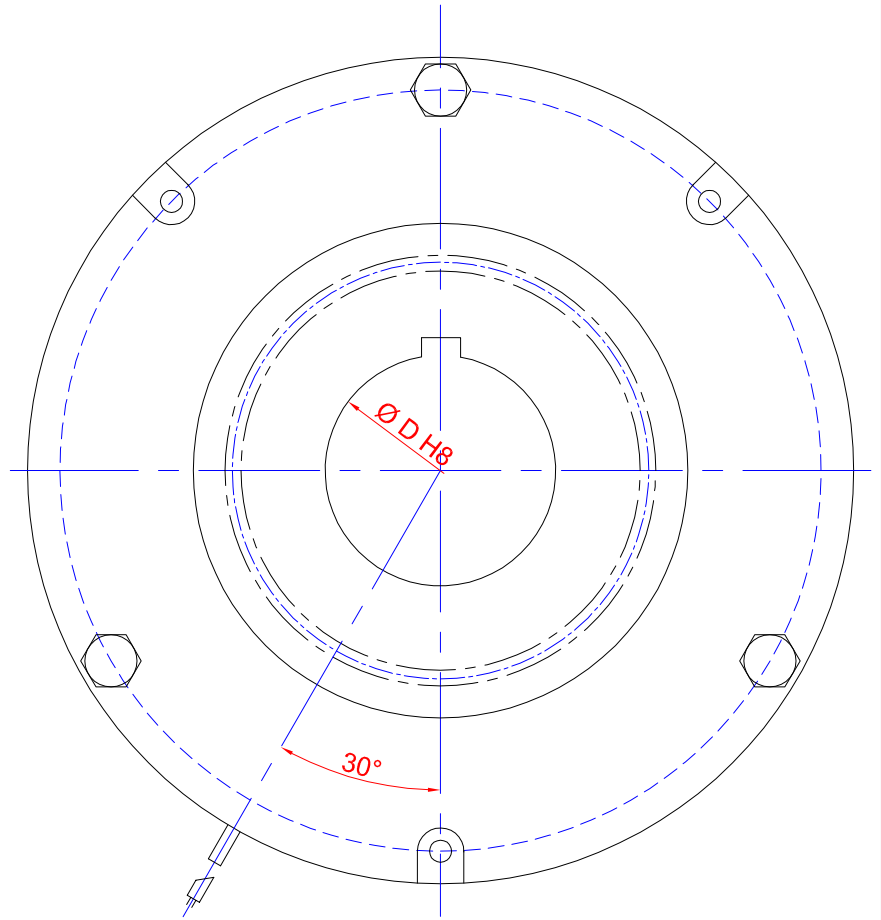
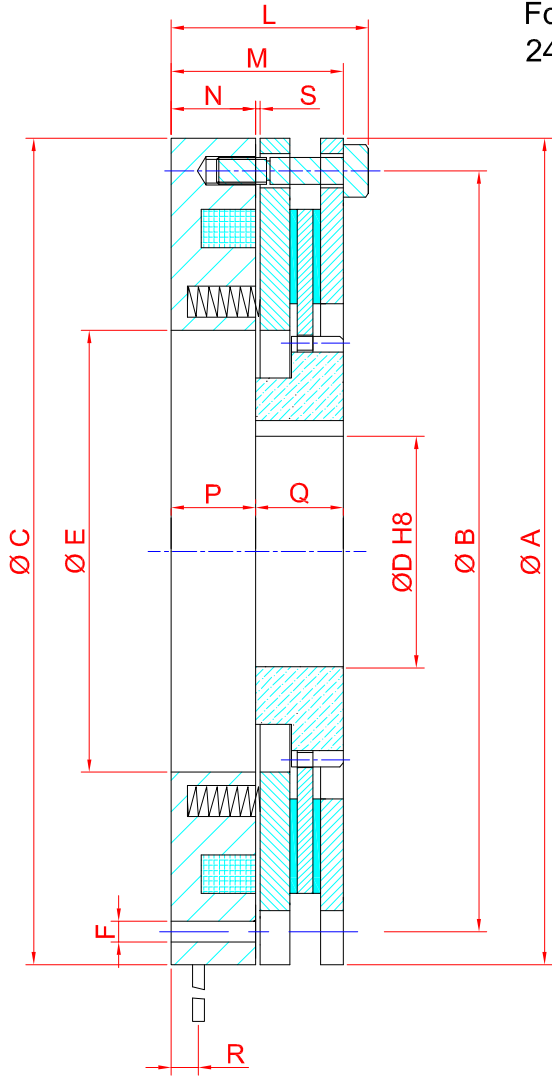
Size	`006	`010	`020	`050	100	200
Torque	7	15	30	65	125	220
Power @ 20°C (Watt)	12	17	22	30	40	66
A	80	100	125	150	190	230
B	72	90	112	137	175	215
C	35	42	52	62	80	100
C1	32	38	48	58	73	92
C2	36	43.5	53.8	63.8	82.1	102.1
d (max)	18	22	30	35	45	60
D	63	80	100	125	160	200
E	46	60	76	95	120	158
F	4*4.5	4*5.5	4*6.6	4*6.6	4*9	4*9
G	3*4.1	3*4.1	3*5.1	3*6.1	3*8.1	3*10.1
H	10	11	11.6	15	21	25
J	8	8	10	11.5	14.5	17.5
K	3.5	4.25	5	5.5	6	7
K1	1.6	1.9	2.2	2.2	2.7	3.2
M	18.8	24.8	31	36.9	46.9	59.15
N	18	20	22	24	26	30
O	6	7	8	9	11	12
O1	3	3	4	4	5	5
P	2	2	2.5	3	4	4.5
R	3.8	4.3	6	6.9	8.9	11.2
R1	7.5	8.3	11	12.9	16	20.2
S	15	20	25	30	38	48
X	0.2	0.2	0.3	0.3	0.3	0.4
V	6	8	10	12	15	19
Z	M6	M6	M8	M10*2	M10*2	M12*2
Weight in Kgs	.10	0.32	0.5	1	1.9	3.4
	.20	0.35	0.65	1.2	2.2	4.4

Dimensions in mm, Tolerances unless otherwise stated-NOM

Title :-				CHKD		Prinivas		
Single Disc Brakes				DRN		chandraiiah		
00	Initial Drawing	31/12/2015	Vinod	DATE		01.08.2016		
REV	DETAIL	DATE	APVD	SCALE		DRG. NO.		
NARSIPUR & SONS Bangalore- 74				Location :- Electromagnetic Brakes		NS/EB-XXX.10/20/25		A4

Remove all burs & Sharp Edges

Electromagnetic Single Disc Safety Brake.
Spring Operated to Brake,Electrically Released.
For dry running
24 V DC.



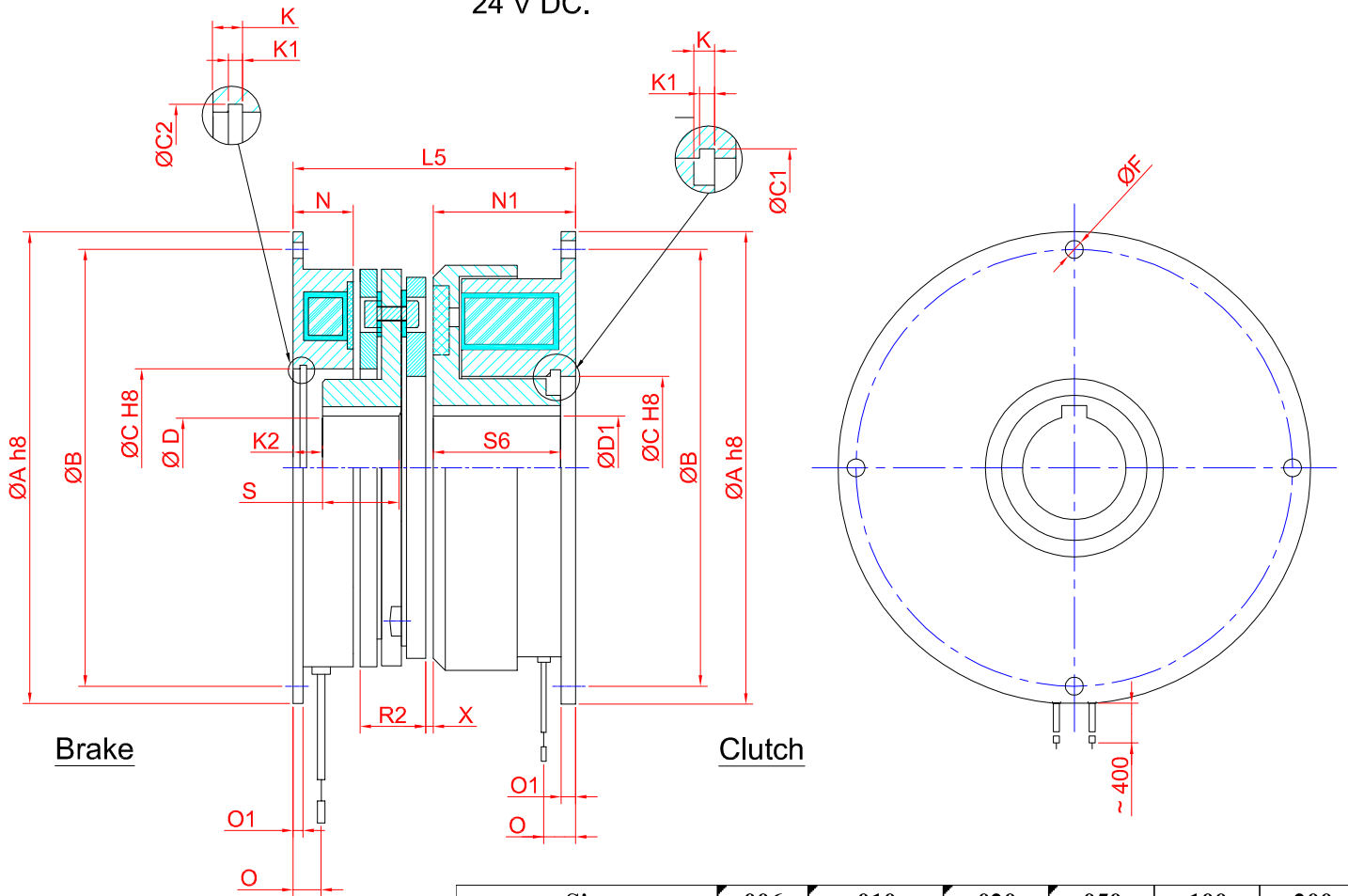
Size	`007	`015	`025	`040
Torque	7	15	25	40
Power @ 20°C (Watt)	15	22	30	44
d H8 (max)	14	19	19	24
A	98	120	134	158
B	86	110	120	142
C h9	98	120	134	158
E	25	40	48	48
F	4.5	5.5	6.5	6.5
G	10	12	14	14
L	59	67	76	83
M	54	61	69	76
N	35	40	45	52
p	36	42	47	55
Q	18.5	19.5	23	23
R	7.5	8	11	13
S	0.1~0.3	0.2~0.4	0.2~0.4	0.2~0.4
Weight in Kgs	1.6	2.5	4.8	7

Dimensions in mm, Tolerances unless otherwise stated-NOM

Title :-				CHKD	<i>Srinivas</i>			
Single Disc Safety Brake		00	Initial Drawing	31/12/2015	Vinod	DRN		<i>chandraiiah</i>
REV	DETAIL	DATE	APVD	DATE	01.08.2016	DATE		01.08.2016
NARSIPUR & SONS Bangalore- 74		Location :-			SCALE	DRG. NO.		
		Electro Magnetic Brakes			NTS	NS/ESB-XXX.10		
						A4		

Remove all burs & Sharp Edges

Electromagnetic single disc Clutch-Brake Combination.
For dry running.
24 V DC.



Size	006	010	020	050	100	200
Torque	6	10	20	50	100	200
CL/BR-Power @ 20°C	12 /16	18/20	22/28	30/36	40/55	55/70
A	80	100	125	150	190	230
B	72	90	112	138	175	215
C	35	42	52	62	80	100
C2	36	43.5	53.8	63.8	82.1	102.1
D (max)	18	22	30	35	45	60
D1 (max)	20	24	30	35	50	65
F	4 * 4.5	4*5.5	4*6.5	4*6.5	4*9	4*9
K	3.5	4.3	5	5.5	6	7
K1	1.6	1.9	2.2	2.2	2.7	3.2
K2	11.2	9.3	8.9	7.9	5	3.4
L5	55.2	61.9	71.2	79.8	90.8	108.4
N	18	20	22	24	26	30
N1	24	26.5	30	33.5	37.5	44
O	6	7	8	9	11	12
O1	3	3	4	4	5	5
R2	13	15	19	22	27	34
S	15	20	25	30	38	48
S6	22	24	27	30	34	41
X	0.2	0.2	0.3	0.3	0.3	0.4
Weight in Kgs	0.85	1.5	2.7	4.8	9.5	18

Dimensions in mm, Tolerances unless otherwise stated-NOM

Title :-				CHKD	<i>Prinivas</i>		
Single Disc Clutch-Brake Combination				DRN	<i>chandraiiah</i>		
REV	DETAIL	DATE	APVD	DATE	01.08.2016		
NARSIPUR & SONS Bangalore- 74				Location :- Electromagnetic Clutches		SCALE	DRG. NO.
						NTS	NS/ECB-XXX.250
							A4